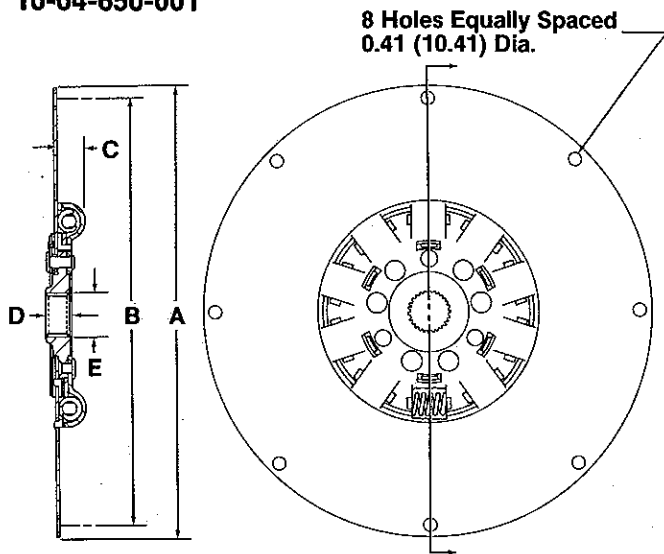
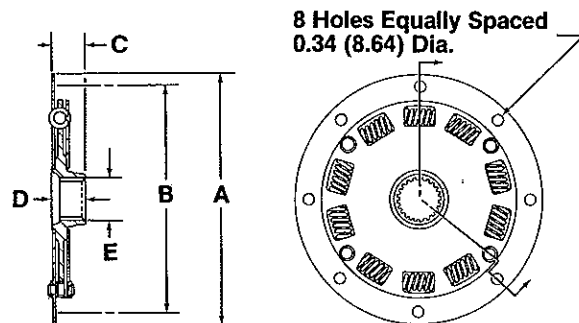


Model 71, 72 and Series 5000 Damper Assemblies

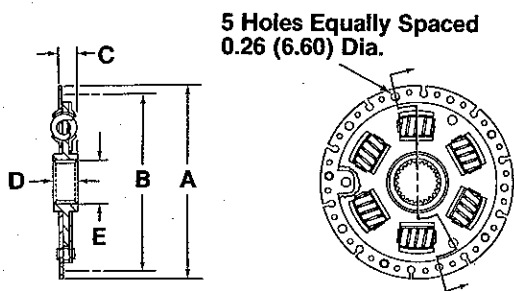
10-04-650-001



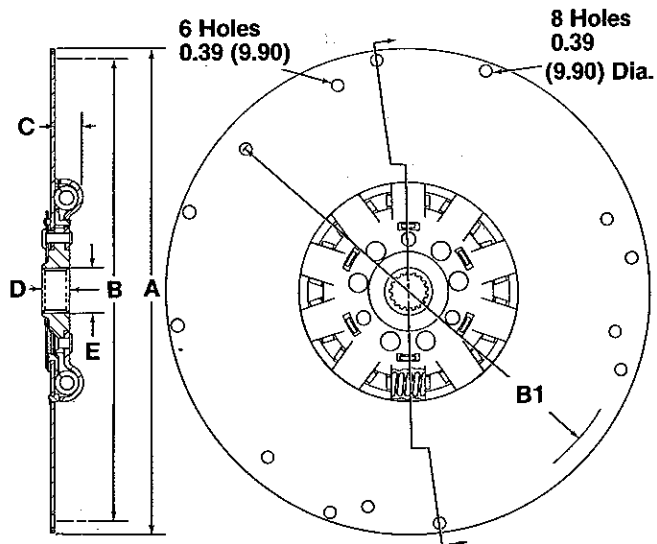
10-04-650-003



10-04-650-002



10-04-650-005

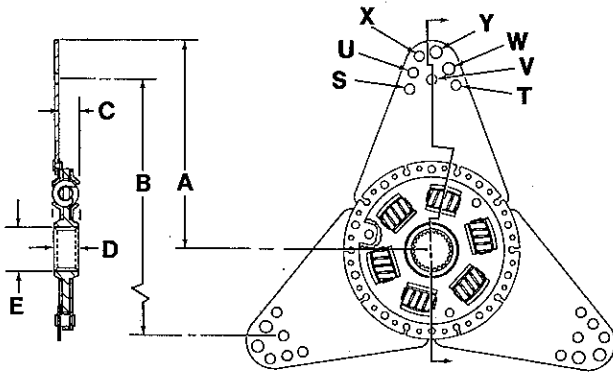


All specifications and descriptive data shown are nominal and subject to change without notice.

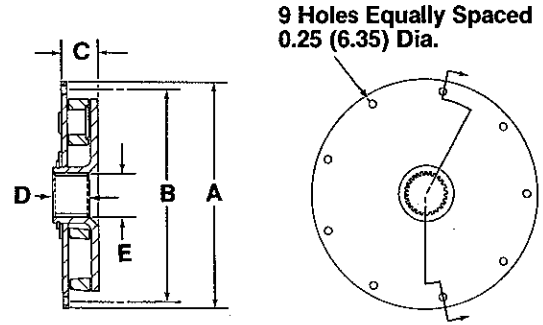
Damper Assembly Information Inches (millimeters)

Spring Damper Assembly Part Number	Dia. A	Dia. B	Dia. B1	Dim. C	Dim. D	Dia. E	Spline Teeth	Polyurethane Assembly Part Number
10-04-650-001	13.87 (352.30)	13.13 (333.50)		0.99 (25.15)	0.80 (20.32)	1.35 (34.29)	26	10-04-650-401
10-04-650-002	6.18 (157.97)	5.59 (141.99)		0.54 (13.72)	0.80 (20.32)	1.35 (34.29)	26	10-04-650-402
10-04-650-003	7.98 (202.69)	7.13 (181.10)		1.05 (26.67)	1.10 (27.94)	1.35 (34.29)	26	10-04-650-403
10-04-650-005	15.00 (406.72)	14.50 (368.30)	13.25 (366.55)	0.51 (12.95)	0.80 (20.32)	1.35 (34.29)	26	10-04-650-405

10-04-650-006



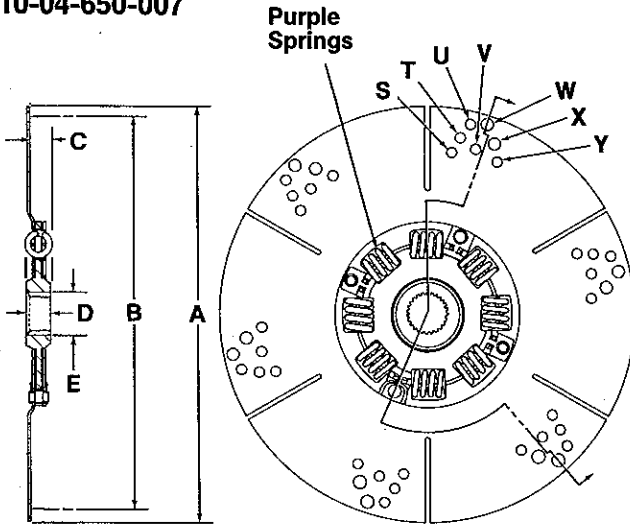
10-04-650-404



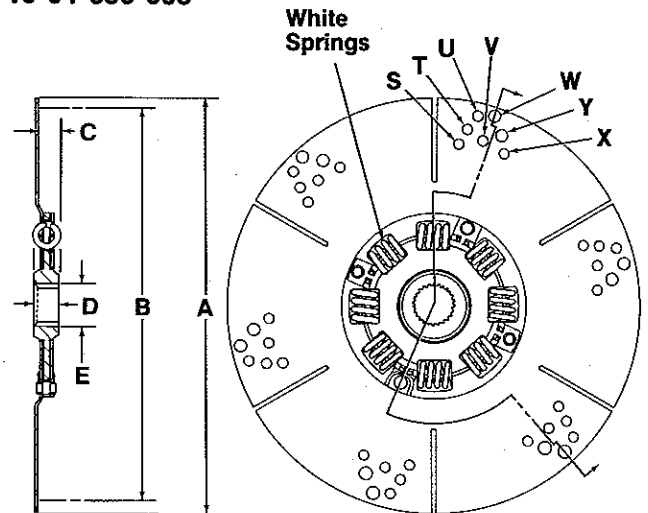
Bolt Circle Chart

Hole	S	T	U	V	W	X	Y
Dia. B	10.38 (263.65)	10.63 (270.00)	10.88 (276.35)	11.38 (289.05)	11.63 (295.40)	12.38 (314.45)	12.63 (320.80)
Hole Dia.	0.324 (8.25)	0.324 (8.25)	0.324 (8.25)	0.324 (8.25)	0.387 (9.86)	0.324 (8.25)	0.387 (9.86)

10-04-650-007



10-04-650-008



Damper Assembly Information Continued

Spring Damper Assembly Part Number	Dia. A	Dia. B	Dim. C	Dim. D	Dia. E	Spline Teeth	Polyurethane Assembly Part Number
10-04-650-006	6.66R (169.16)	See Chart	0.84 (21.34)	0.80 (20.32)	1.35 (34.29)	26	10-04-650-406
10-04-650-007	13.25 (336.55)	See Chart	0.80 (20.32)	0.80 (20.32)	1.35 (34.29)	26	10-04-650-407*
10-04-650-008	13.25 (336.55)	See Chart	0.80 (20.32)	0.80 (20.32)	1.35 (34.29)	26	10-04-650-408
	7.12 (180.85)	6.59 (167.39)	1.16 (29.46)	0.80 (20.32)	1.35 (34.29)	26	10-04-650-404

*Note: 1004-650-407 is not totally interchangeable with 1004-650-007. O.D. of 1004-650-407 is 14.25 (361.95).